

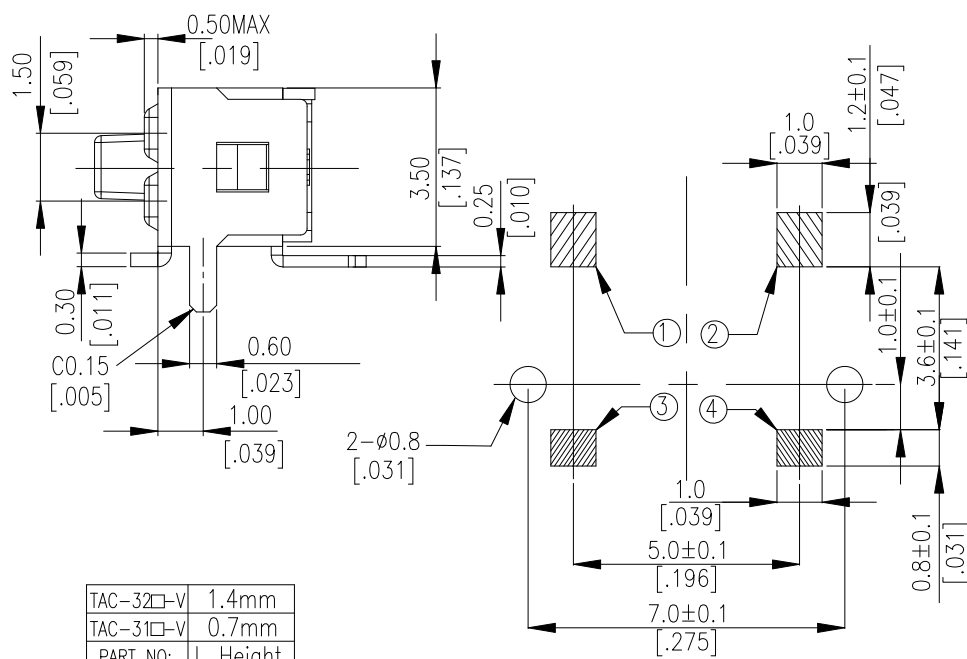
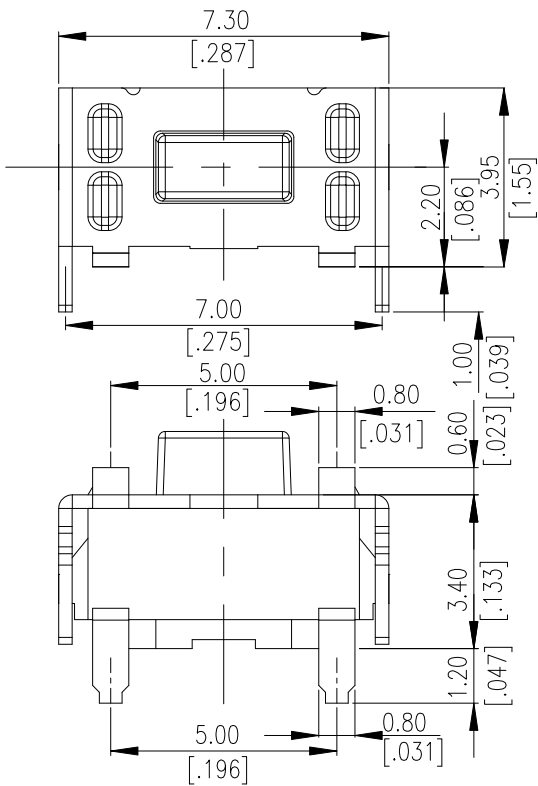
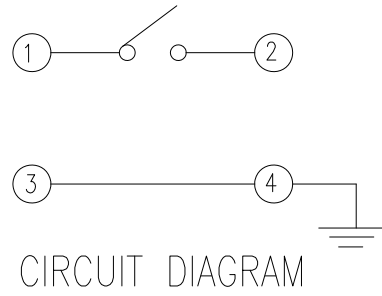
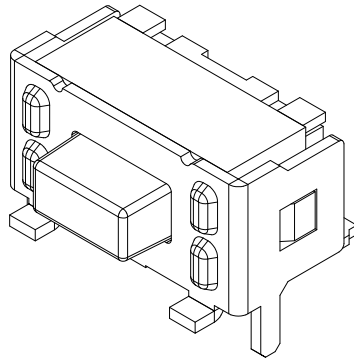
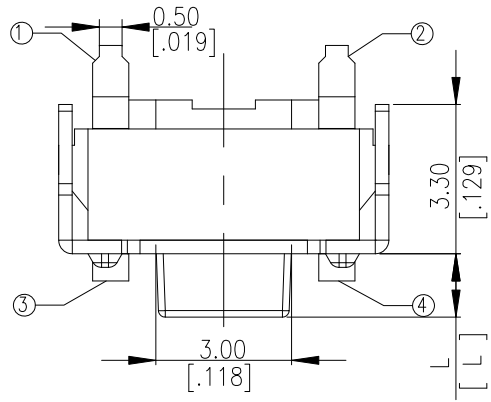


TAC-3 & TA(N)2-3 SERIES



**DIMENSION**

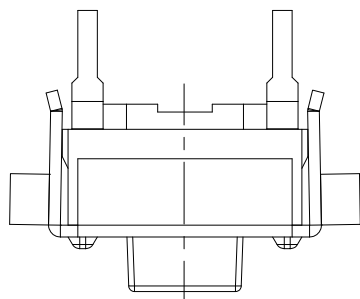
**TAC-3**



TAC-3□-V	1.4mm
TAC-3□-V	0.7mm
PART NO:	L Height

General Tolerance : ±0.2mm

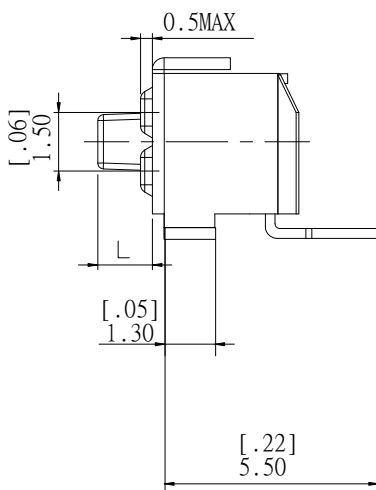
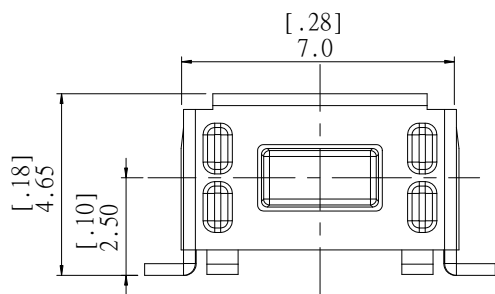
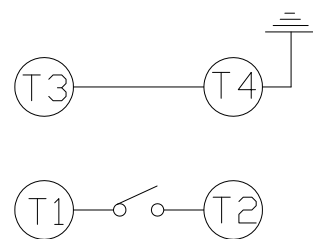
**TAN2-3**



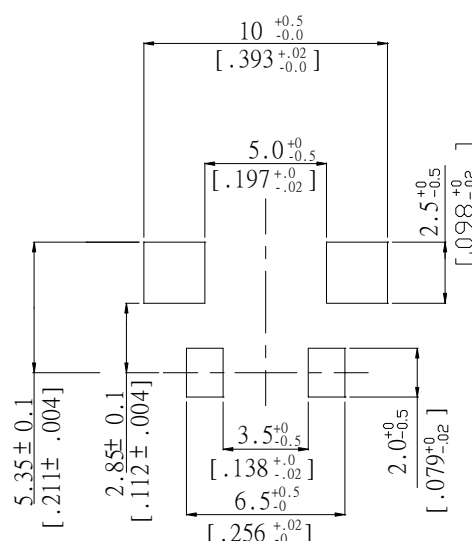
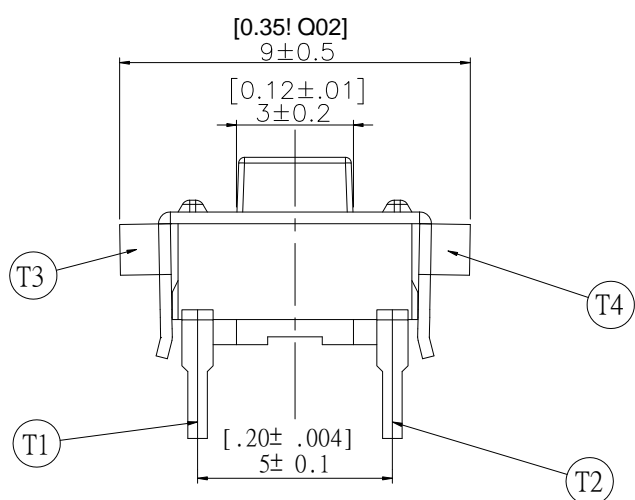
附表一

TAN2-32	1.4 [.055]	S SALMON 320g W WHITE 160g
TAN2-31	0.7 [.028]	S SALMON 320g W WHITE 160g
PART NAME:	L	COLOR FOR OPERATING FORCE

CIRCUIT DIAGRAM

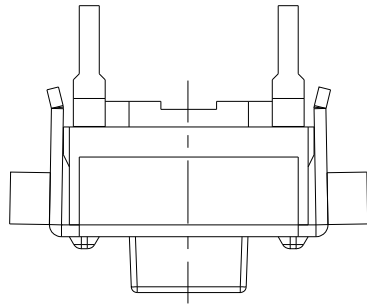


P.C.B. LAYOUT



General Tolerance : ±0.2mm

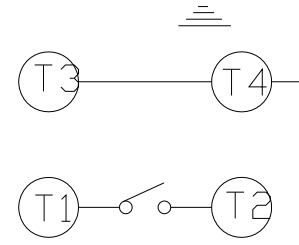
**TA2-3**



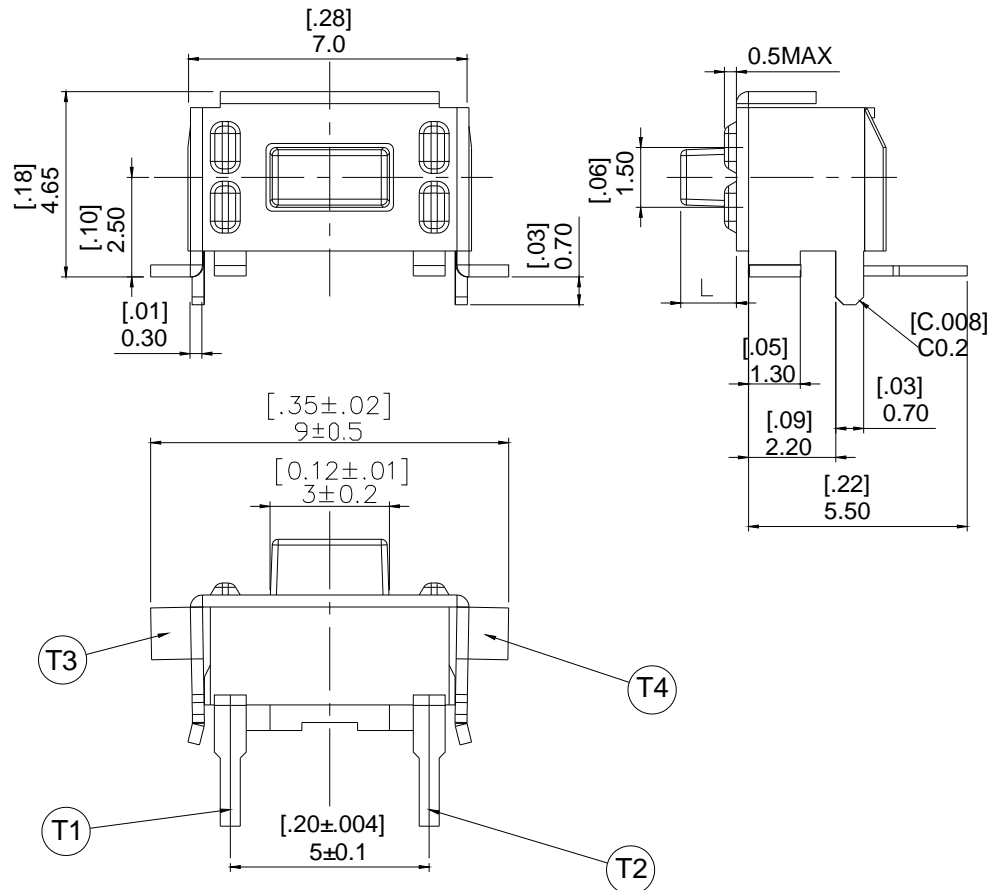
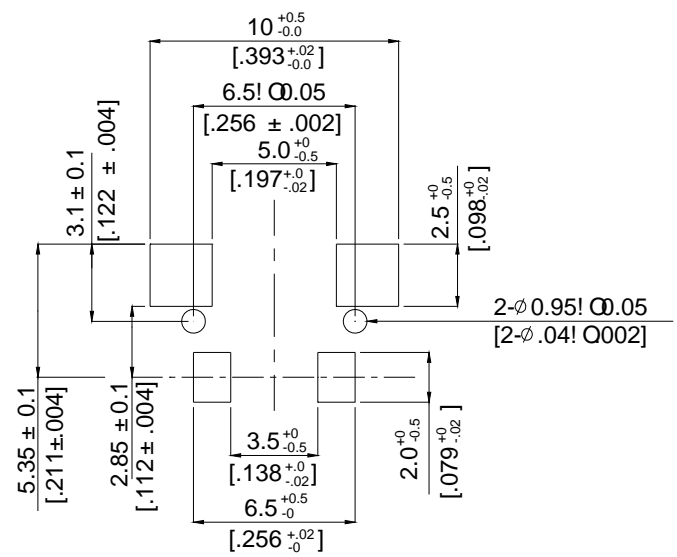
附表一

TA2-32□-V	1.4 [.055]	S	SALMON 320g
		W	WHITE 160g
		N	BROWN 160g
TA2-31□-V	0.7 [.028]	S	SALMON 320g
		W	WHITE 160g
		N	BROWN 160g
PART NAME:	L	COLOR FOR OPERATING FORCE	

**CIRCUIT DIAGRAM**



**P.C.B. LAYOUT**



General Tolerance : ±0.2mm

**HOW TO ORDER**

TA □ □ □ - □ □ □ - □ □ □ □

**Package:**  
 T/R=Tape & Reel  
 □=Bag (TACH-3 Only)

**Soldering:**  
 V=RoHS & Lead Free Solderable  
 Q=Halogen Free

**Operating Force:**  
 W=White,160gf  
 N=Brown,160gf  
 S=Salmon,320gf

**N/K=Black,160gf(TAC-35 Only)**  
**L Height:**  
 1=0.7mm  
 2=1.4mm  
 5=5.0mm

**Prod. Size:**  
 3=3.5X6

□ =SMT  
 H=Through Hold Type(TAC-3 Only)

2=Ground Terminal  
 C=Ground Terminal

□=With Support Terminal(Only for TA2-3)  
 N=Without support Terminal (Only for TA2-3)

## SPECIFICATION

### △MECHANICAL

Operation Force: 320±50gf Salmon (S)  
160±50gf White (W)

Stroke: 0.25 <sup>+0.10mm</sup>/<sub>-0.20mm</sub>

Operation Temperature: -25°C to +70°C

Storage Temperature: -30°C to +80°C

### △ELECTRICAL

Electrical Life: 50,000 cycles for 160g, 320g.

Rating: 50mA, 12VDC

Contact Resistance: 100mΩ max.

Insulation Resistance: 100MΩ min. 500V DC

Dielectric Strength: 250VAC / 1 minute

Contact Arrangement 1 pole 1 throw.

## MATERIAL

△Cover: Nickel silver.

△BASE: UL94V-0 High-Thermoplastic.

Color: Black

△CONTACT: Stainless with silver cladding.

△TERMINAL: Brass with silver plated.

△STEM: UL94V-0 High-Thermoplastic.

Color: Salmon(320gf), Brown(160gf)

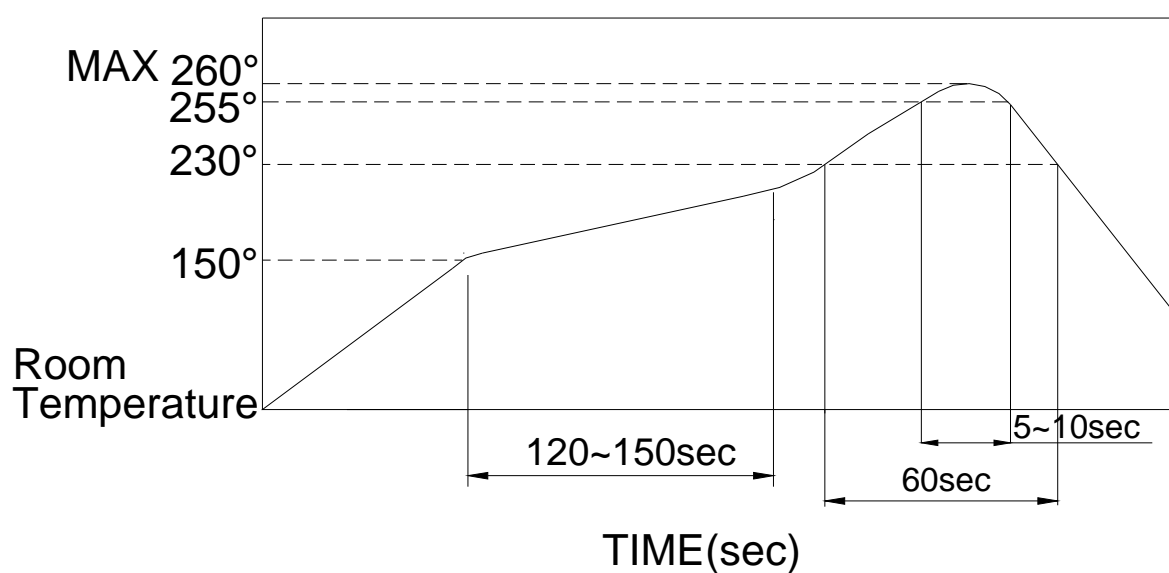
## SOLDERING PROCESS

△HAND SOLDERING: Use a soldering iron of 30 watts, controlled at 350°C approximately Max 5 seconds while applying.

△REFLOW SOLDERING : When applying reflow soldering, the peak temperature of the reflow oven should be set to 260°C max.

△CONDITION FOR SOLDERING : Reflow & non-washable type

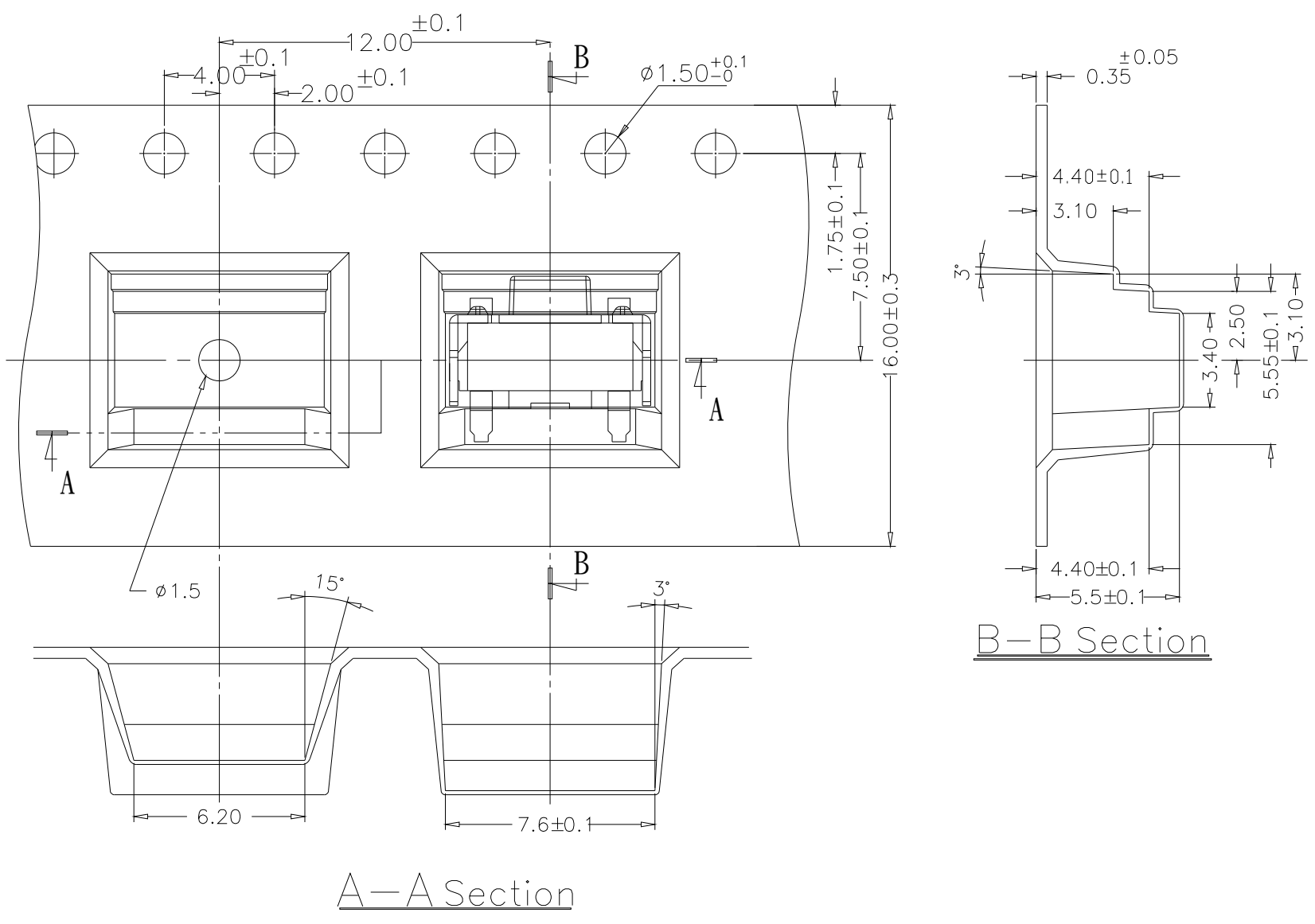
△Temperature Profile :



# PACKING

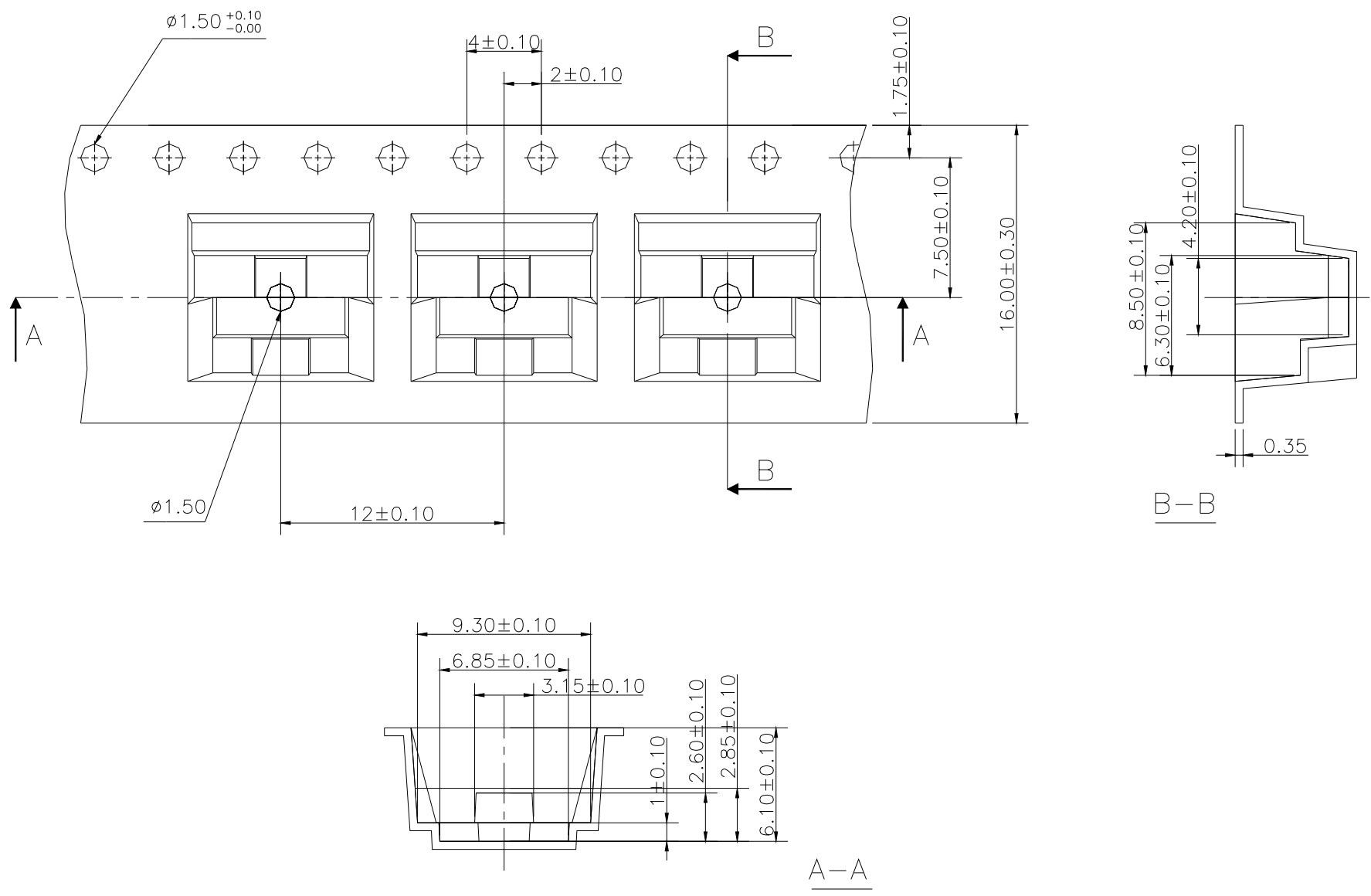
Part Number	Number Per Reel
TAC-3	900
TA□2-3	

## TAC-3 REEL



General Tolerance :  $\pm 0.1\text{mm}$

## TA□2-3 REEL



General Tolerance :  $\pm 0.1\text{mm}$